



Pride in Place Buffalo Initiative

Call for Artists:

LISC WNY & The Buffalo Center for Health Equity, are looking for artists to participate in the painting of “Idea Boxes” for the Pride in Place Buffalo Initiative - part of the AARP Community Challenge grant. The grant is being used to celebrate and reinvigorate Black and Brown culture, community, and pride throughout many of Buffalo’s near East Side neighborhoods: Broadway-Fillmore, MLK Park, Grider, Fruit Belt, Kingsley, Cold Spring, Hamlin Park, Willert Park and Masten Park.



Program Overview

LISC in Western New York has been named a recipient of a *2020 AARP Community Challenge* grant in partnership with the Buffalo Center for Health Equity, one of six grantees selected in the state of New York.

The grant will be used to celebrate and reinvigorate Black and Brown culture, community, and pride throughout three Buffalo neighborhoods. Working with a team of local creatives and equity advocates, this effort aims to gather community input while lifting up important landmarks, parks, art and music happenings, and cultural events occurring in these neighborhoods. The effort will highlight and promote health, hope, and exploration during COVID-19 recovery, while planting seeds for neighborhood-owned community development visions as we work together to rebuild.

[Click here](#) for the full press release.

Idea Box Background:

An idea box - also called a suggestion box, feedback box, etc.- is a place where community members can suggest ideas, provide input, answer prompted questions and more. These idea boxes will be placed at various locations in our selected neighborhoods with prompts, or questions asking for community input. The boxes will be outside during all seasons between the months of February and May 2021. Any painting or creative applications on the boxes should factor in and address the outdoor locations when selecting art materials.

The prompts on the boxes will include questions similar to these, depending on the location:

<i>What type of artwork would you like to see here?</i>	<i>What can be done to beautify this area?</i>	<i>What is special about this place?</i>
<i>What would you imagine this vacant lot could become?</i>	<i>If this building were renovated and repurposed, how could it best serve the neighborhood?</i>	

Project Specifications:

- Theme: Pride in Place Buffalo
- Box dimensions: Depth (18.09 in) Height (15.02 in) Width (11.54 in) **see image below*
- Each box must be primed with a metal primer prior to painting; and finished with a clear coat or polyurethane (or other measure to protect from weather elements).
- The boxes will be installed on a wooden post outside.
- The artwork should follow the theme of the project and will be community focused - reflecting hope, optimism, health, prosperity, community, etc.
- Notes for Installation:
 - There will be a small poster attached to the box or the wooden post that will provide the specific prompt for the directions for interaction with the idea box once installed. The poster will be no larger than 8.5 x 11, and will likely be placed on one of the panels on the front of the box. Please consider while designing your mailbox.
 - The mailboxes will be mounted from the bottom, please do not impede the attachment of a metal plate and wood post on the bottom of the box.
 - The mailbox will need to open and close to take submissions, and the lock box must remain functional for collection of those submissions.

Budget

- Each artist will receive a stipend of \$400 to put toward their time and supplies for one box.
- W-9 and ACH Routing Form (directions for submission provided by LISC WNY) for the \$400 stipend is required for payment.

Artist Responsibilities

- Create an original piece of art with the provided Mailbox. (20 mailboxes total will be painted)
- Each selected artist will be responsible for painting one or more idea box(es) as agreed upon.
- Painting, finishing and delivering the idea box within the allotted time frame (specified below) is required for payment of the stipend.
- Each artist will sign a contract agreeing to the terms and to participate in the duration of this project.
- Take photos of your progress for social media (#prideinplacebuffalo) so we can promote the community initiative.
- Once completed, the idea boxes will belong to the Buffalo Center for Health Equity to be used in this and other future community input efforts. The mailboxes will not be returned to the artists.
- Indicate how you would like to be acknowledged for the artwork (i.e. name to be used in media, promotion, and social media; signing of the box itself, etc.)
- Mailboxes will be installed across various neighborhoods on the near east side of Buffalo. Artists will not be able to select the specific location of the mailbox they design.
- Photos of the mailboxes will be used in project promotion by, but not limited to, LISC WNY, Buffalo Center for Health Equity, AARP, the Pride in Place Buffalo website, the Challenger News, and/or the general public who interact with the boxes.
- Although LISC, BCHE & AARP do not endorse any restrictions on any particular artistic content, in making artist selection, the project's Artist Selection Panel will consider the fact that many diverse age groups, ethnic groups, and cultural backgrounds will interact with the idea boxes.
- Upon receiving completed boxes, the Artist Selection Panel will consider the fact as to which boxes will be displayed, in the case of inappropriate content. It is the sole discretion of the Artist Selection Panel as to what is deemed inappropriate content.

Timeline:

Application Deadline:	December 18th, 2020
Artists Notified By:	January 1, 2021
Mailbox Pick Up:	January 1 - January 7, 2021
Completed Artist Idea Box Due:	February 7, 2021

- Completed artwork must be received by NO LATER THAN February 7, 2021. Pick up and drop off location TBD and will be shared with artists by the pick up date.

- A socially distant pickup may also be arranged. Please contact - Alexa Wajed by email: eatoffart@gmail.com

Installation of Boxes:

to begin mid-late February 2021 (weather and COVID permitting)

Application & Submission Requirements:

- Please complete this online [Application Form](#) by **December 18, 2020**.
- Selected artists will be required to complete an [Artist Release Form](#) upon mailbox submission.

Contact:

Alexa Wajed: eatoffart@gmail.com
Saira Siddiqui: SSiddiqui@lisc.org

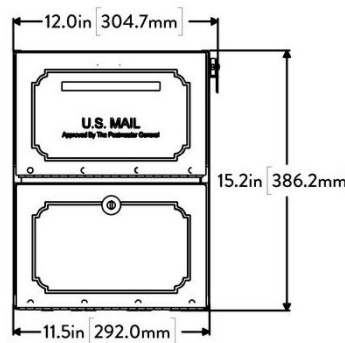
Social Media:

www.PrideInPlaceBuffalo.com (coming soon)
#PrideinPlaceBuffalo
#AARPLivability
#AARPCommunityChallenge

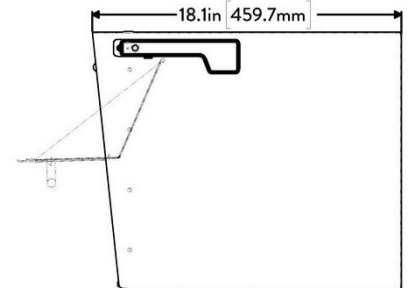
IMAGES of mailbox to be painted:



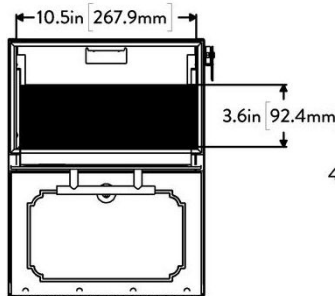
FRONT VIEW



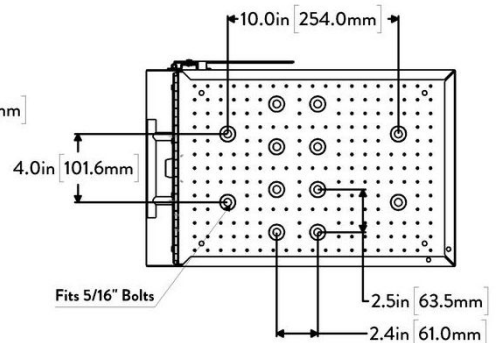
SIDE VIEW



OPENING



BOTTOM VIEW



Local Initiatives Support Corporation

70 West Chippewa St., Suite 604, Buffalo, NY 14202 • T 716.852.3430 • lisc.org/wny